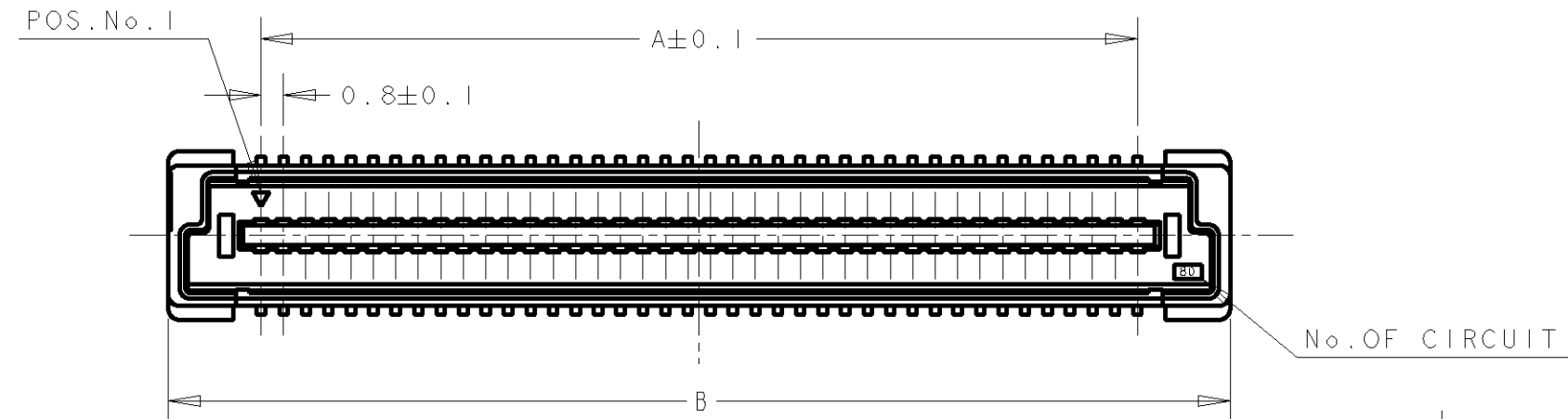
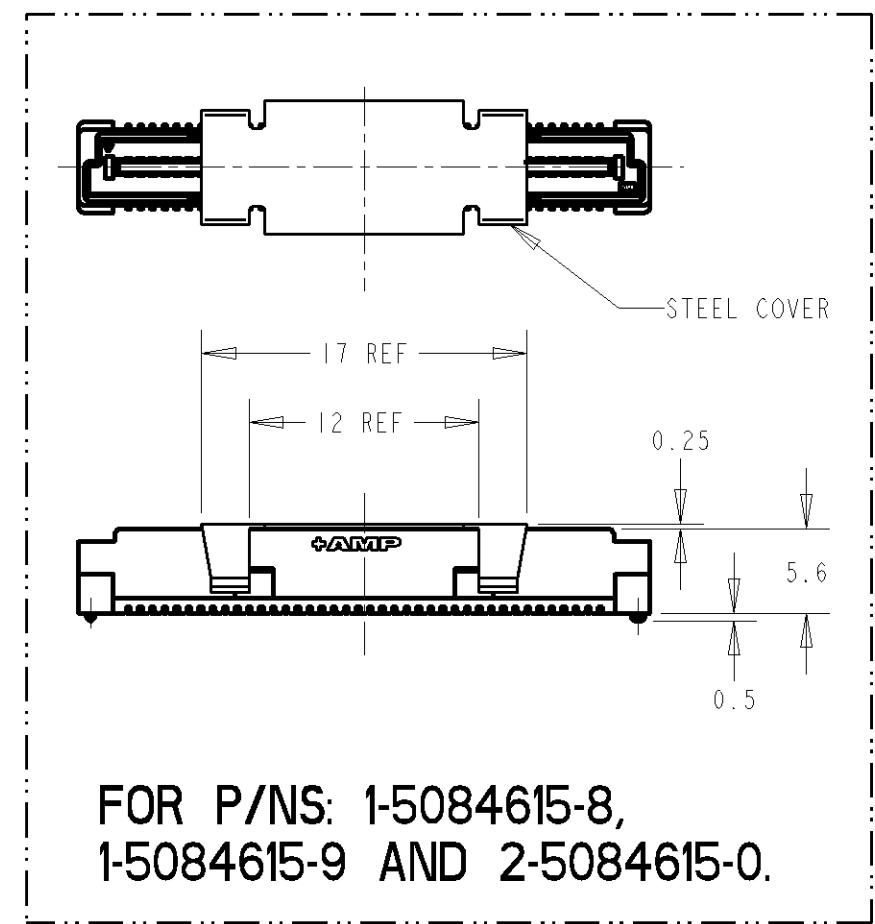
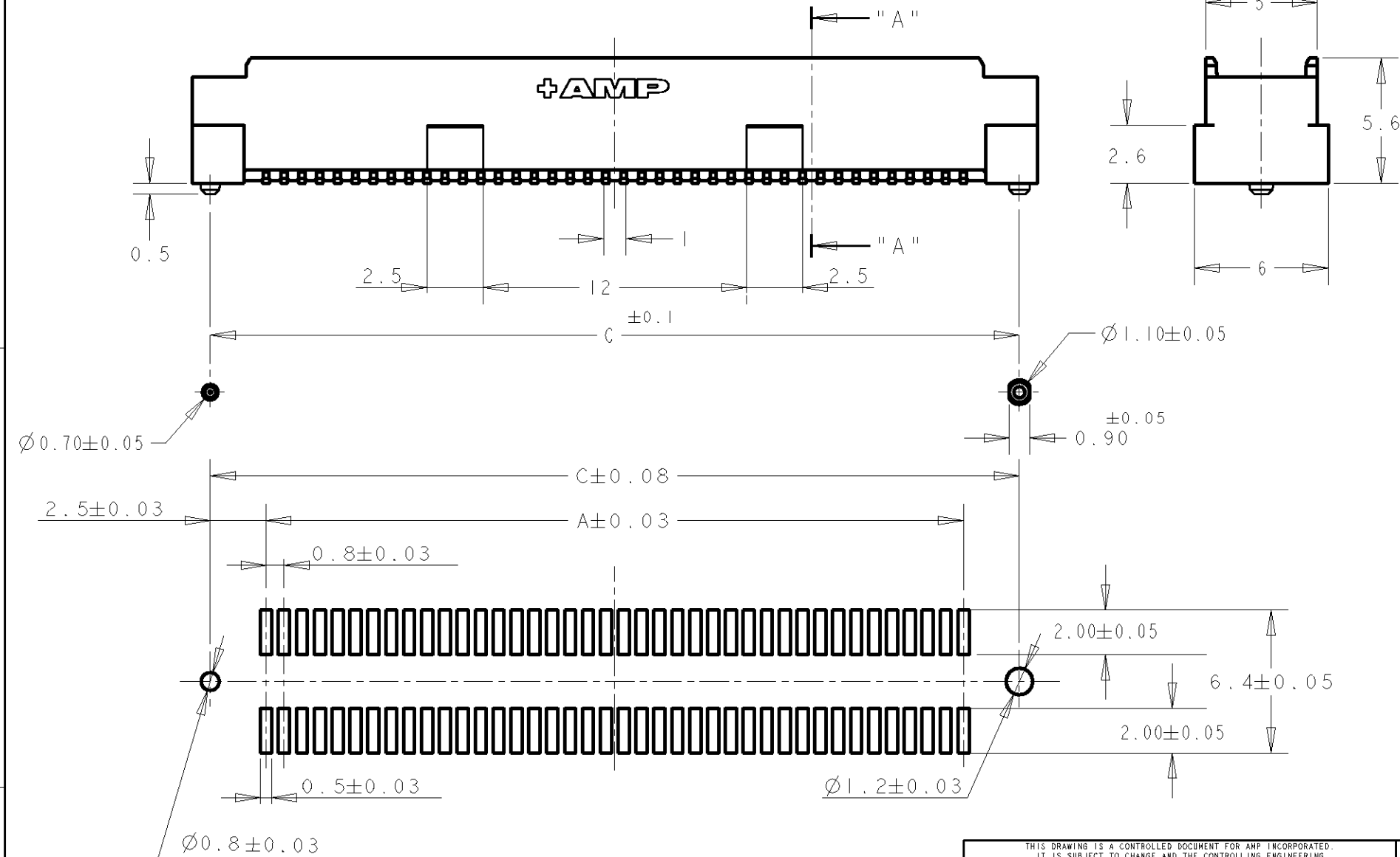


THIS DRAWING IS UNPUBLISHED. RELEASED FOR PUBLICATION .19
 © COPYRIGHT 19 BY AMP INCORPORATED. ALL RIGHTS RESERVED.

LOC	DIST	REVISIONS				
P	LTR	DESCRIPTION	DATE	DWN	APVD	
DY	-	AI	REVISED PER ECR-06-029208	14DEC06	SYJ	LSF



- NOTES:
- 1. MATERIAL: HOUSING: L.C.P. (HIGH TEMP THERMO PLASTIC) UL 94V-0, NATURAL. CONTACT: BRASS.
 - 2. FINISH: CONTACT AREA: 0.00076 MIN GOLD ON 0.0013 MIN ALL OVER NICKEL. SOLDERING AREA: 0.002 MIN MATTE TIN.
 - 3. POSITION SERIES; SEE TABLE. (SHEET 2)
 - 4. CONN STACK HEIGHT COMBINE OF PLUG "Y" H VS REC "X" H. STACK HEIGHT = Y + X - 5
 - 5. FOR STEEL COVER PICK AND PLACE VERSION, DESCRIPTION PRINTING ON TUBE IS: "PLUG ASS'Y (H=6mm), W/ STEEL COVER, 0.8mm BTB STACKING CONN"



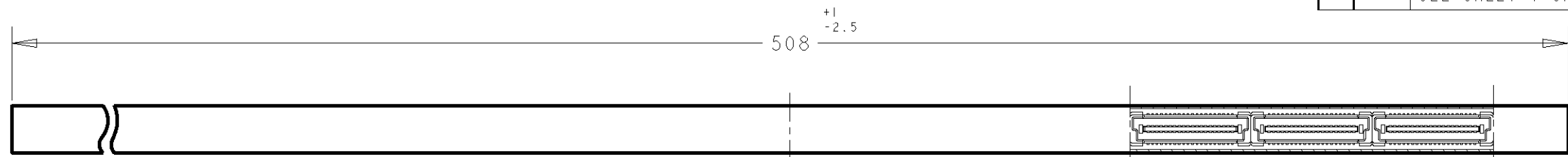
RECOMMENDED P.C. BOARD LAYOUT

P/N SEE SHEET 2 OF 2.

THIS DRAWING IS A CONTROLLED DOCUMENT FOR AMP INCORPORATED. IT IS SUBJECT TO CHANGE AND THE CONTROLLING ENGINEERING ORGANIZATION SHOULD BE CONTACTED FOR THE LATEST REVISION.		DWN FLORENCE TAN 23AUG04	 TYCO ELECTRONICS (SINGAPORE) PTE. LTD.
DIMENSIONS: mm		CHK ERIC TNG	
TOLERANCES UNLESS OTHERWISE SPECIFIED:		APVD SEI FONG	NAME PLUG ASSEMBLY 6H TYPE 30Au (0.5 BOSS LENGTH) FOR FH 0.8mm PITCH B-T-B CONNECTOR
0 PLC ±		PRODUCT SPEC 108-5390	SIZE A3
1 PLC ±0.30		APPLICATION SPEC 114-5254	CAGE CODE 00779
2 PLC ±0.25		WEIGHT -	DRAWING NO C-5084615
3 PLC ±0.20		CUSTOMER DRAWING	SCALE 4:1
4 PLC ±			SHEET 1 OF 2
ANGLES ±3°			REV A1
MATERIAL 1	FINISH 2		

THIS DRAWING IS UNPUBLISHED. RELEASED FOR PUBLICATION .19
 © COPYRIGHT 19 BY AMP INCORPORATED. ALL RIGHTS RESERVED.

LOC	DIST	REVISIONS					
DY	-	P	LTR	DESCRIPTION	DATE	DWN	APVD
				- SEE SHEET 1 OF 2			

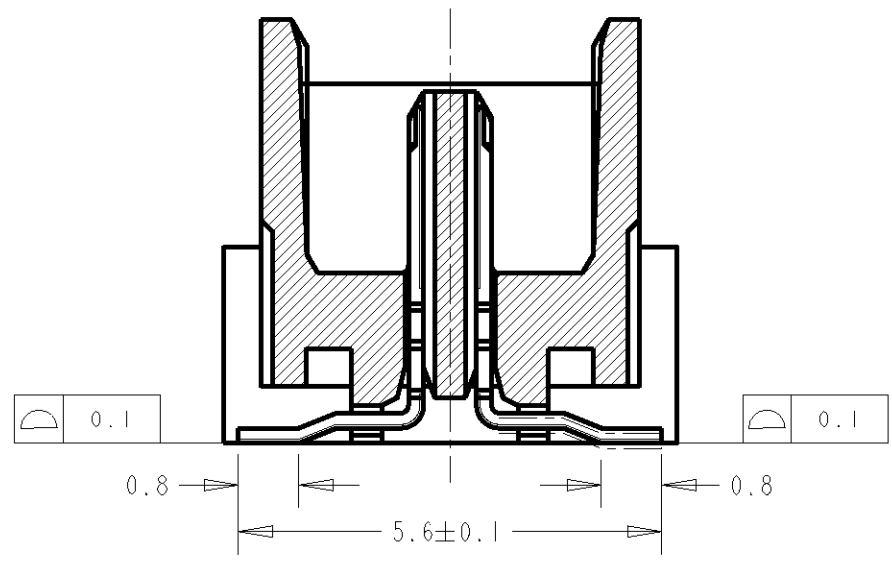
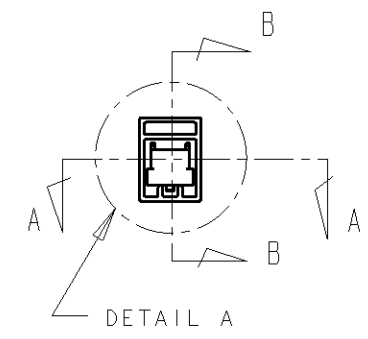


REFERENCE PICTURE OF TUBE PACK (WITHOUT STEEL COVER VERSION)

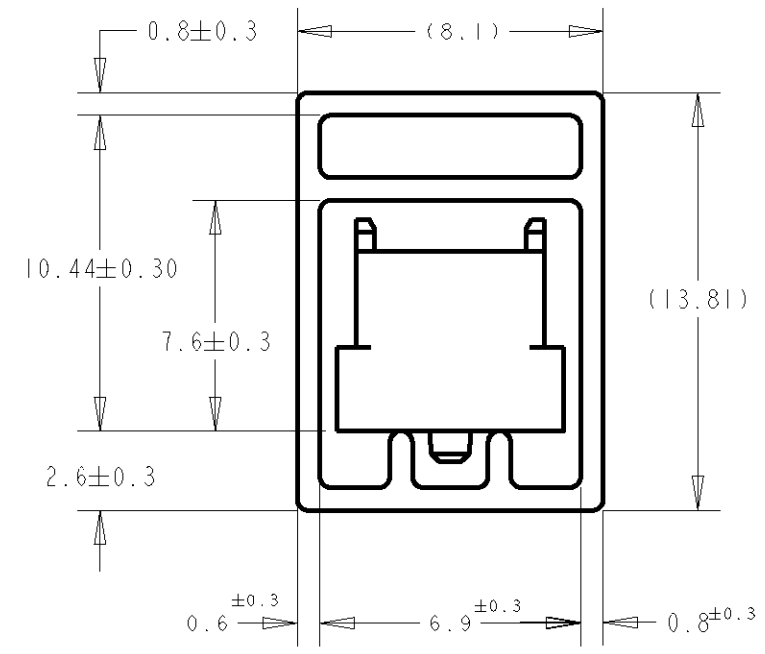


REFERENCE PICTURE OF TUBE PACK

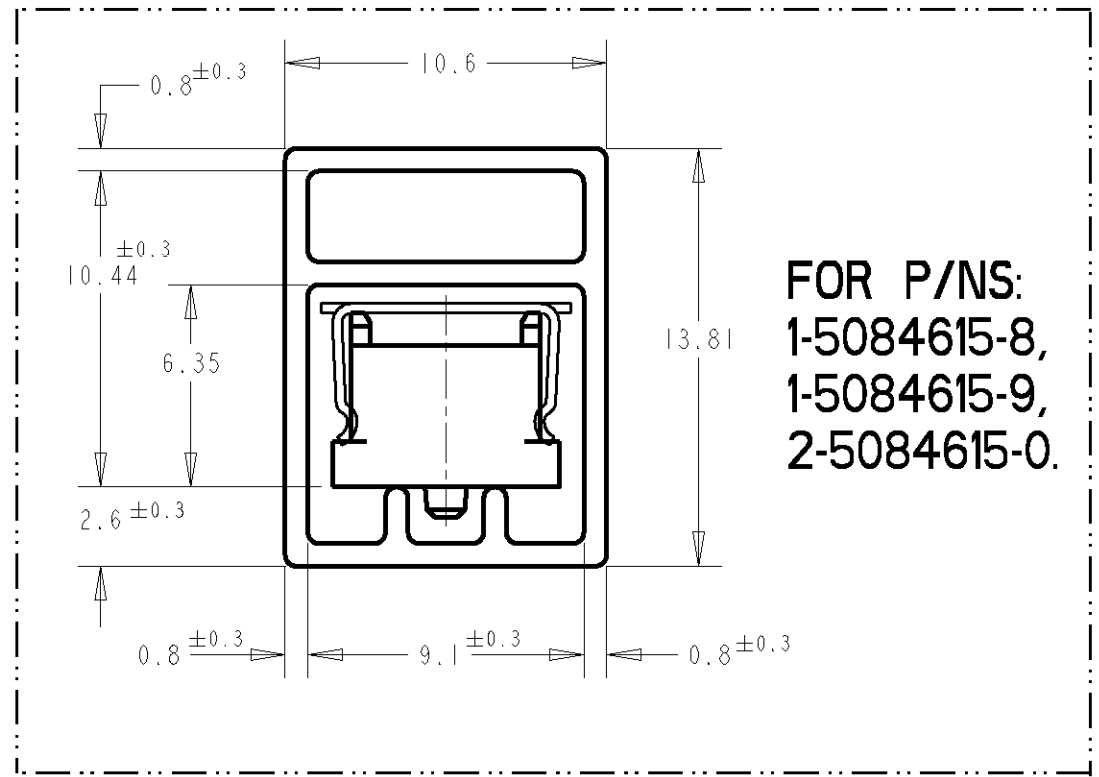
PLUG ASS'Y (H=6mm), 0.8mm BTB STACKING CONN



SECT. "A" - "A"



DETAIL "B" (SCALE 5-1)



FOR P/NS:
 1-5084615-8,
 1-5084615-9,
 2-5084615-0.

WITH STEEL COVER	AVAILABLE	5	84.2	85.8	79.2	200	2-	-0
		6	76.2	77.8	71.2	180	1-	-9
		6	68.2	69.8	63.2	160	1-	-8
		5	84.2	85.8	79.2	200	1-	-0
		6	76.2	77.8	71.2	180		-9
		6	68.2	69.8	63.2	160		-8
		7	60.2	61.8	55.2	140		-6
		9	52.2	53.8	47.2	120		-5
		10	44.2	45.8	39.2	100		-4
		12	36.2	37.8	31.2	80		-3
16	28.2	29.8	23.2	60		-2		
22	20.2	21.8	15.2	40	5084615-1			
REMARKS	STATUS	QTY/TUBE	C	B	A	POS.	CONN P/N	

THIS DRAWING IS A CONTROLLED DOCUMENT FOR AMP INCORPORATED. IT IS SUBJECT TO CHANGE AND THE CONTROLLING ENGINEERING ORGANIZATION SHOULD BE CONTACTED FOR THE LATEST REVISION.		DWN FLORENCE TAN	24AUG04	tyco Electronics		TYCO ELECTRONICS (SINGAPORE) PTE. LTD.	
DIMENSIONS: mm		CHK ERIC TNG	APVD SEIFONG	NAME PLUG ASSEMBLY 6H TYPE 30Au (0.5 BOSS LENGTH) FOR FH 0.8mm PITCH B-T-B CONNECTOR			
TOLERANCES UNLESS OTHERWISE SPECIFIED: 0 PLC ± 1 PLC ±0.2 2 PLC ±0.25 3 PLC ±0.3 4 PLC ± ANGLES ±3°		PRODUCT SPEC 108-5390	APPLICATION SPEC 114-5254	SIZE A3	CAGE CODE 00779	DRAWING NO 5084615	
MATERIAL 1	FINISH 2	WEIGHT -		CUSTOMER DRAWING		SCALE 4:1	SHEET 2 OF 2
						REV A1	